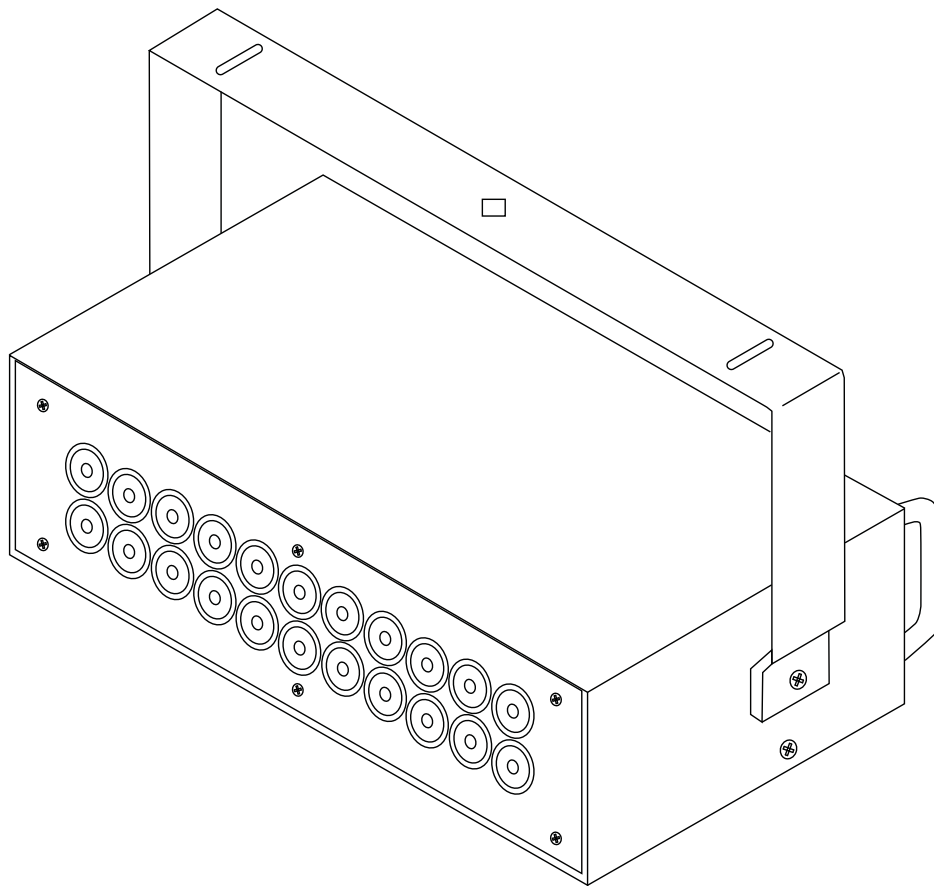


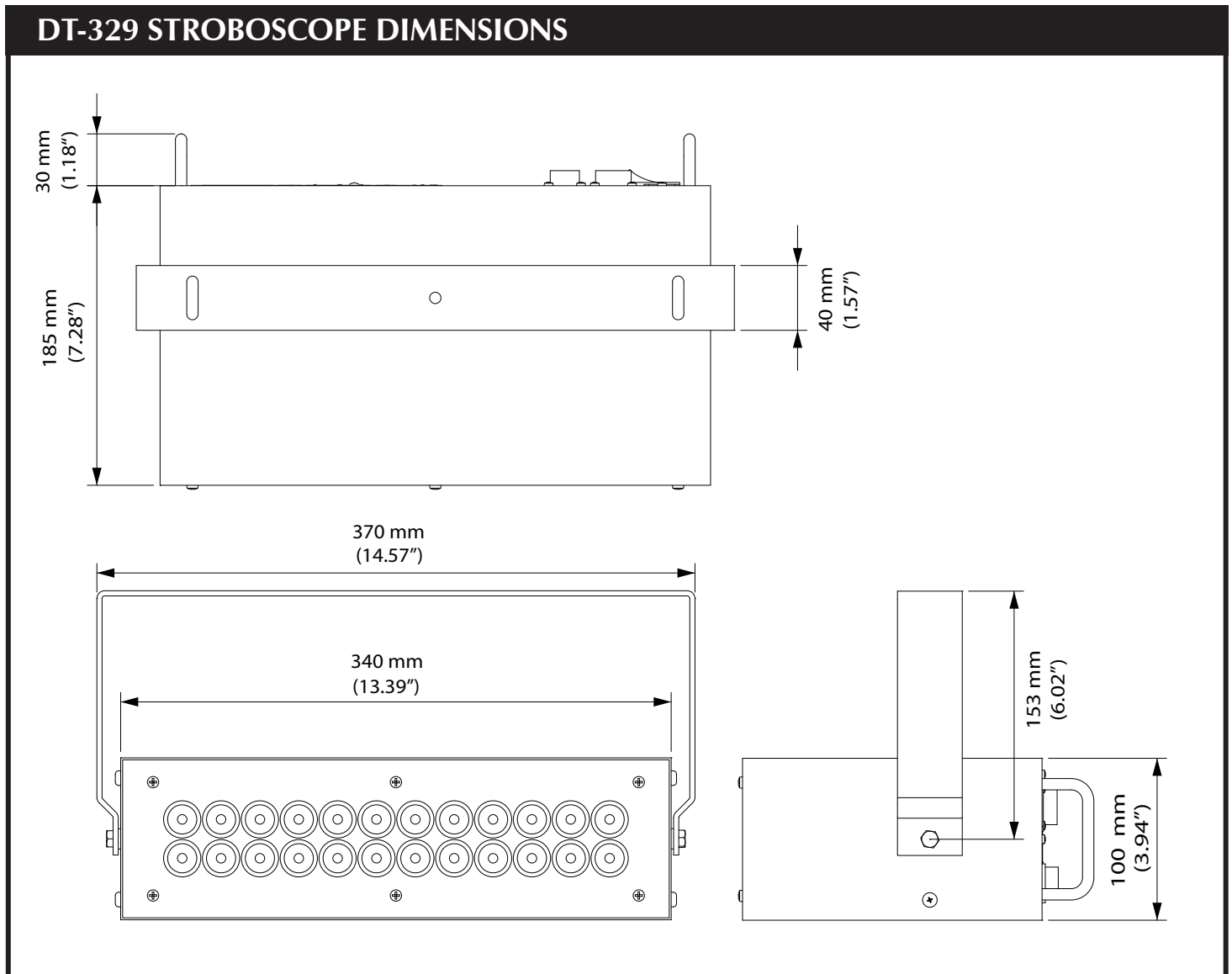
***DT-329 Stroboscope***

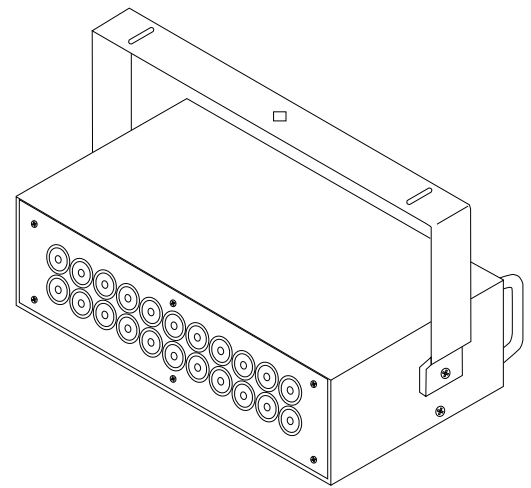
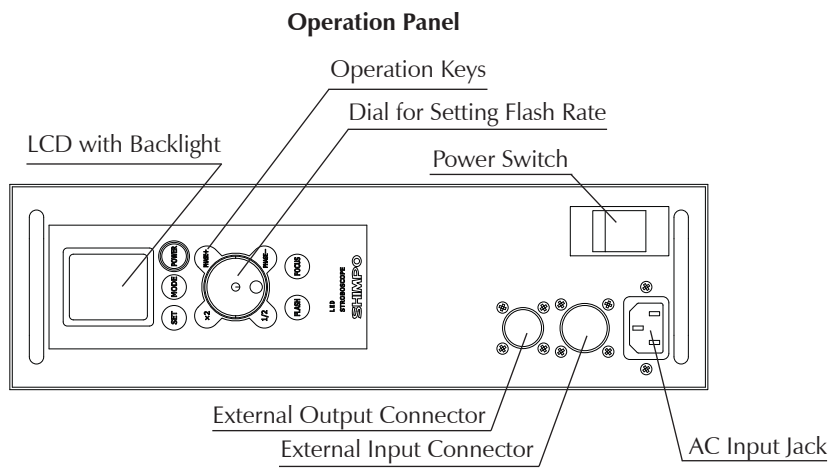


## The NEW SHIMPO DT-329 Linear Stroboscope employs High Brightness LED Technology.

No other strobe on the market delivers a crisper, clearer image while operating at all flash rates with High Brightness. Even at ultra high repeats up to 120,000 (FPM), the service life of the DT-329 is 5x's greater than many traditional stroboscopes which incorporate xenon flash tubes. Due to LED engineering, which eliminates the need for xenon flash tubes, no sound is produced when in use; an added benefit and a great asset for audio and speaker research.

The DT-329 is ideal for wide and narrow web printing, motion and machine vibration analysis, audio (speaker) research, pulp and paper manufacturing and a wide range of rolling mill applications. Easy to mount and set up, the DT-329's design provides for daisy chain and external triggering methods. Phase shifting (flash advance/delay in degrees and mSec), external and internal flash control, and a back-lit LCD display provides the operator an easy to use visual inspection tool to monitor production quality under all line speeds.





## DT-329 STROBOSCOPE SPECIFICATIONS

<b>Unit</b>	FPM (Flashes Per Minute), Hz			
<b>Flash Rate Range</b>	High Range	60 – 120,000 FPM, 1 – 2,000Hz		
	Low Range	60 – 12,000 FPM, 1 – 200Hz		
<b>Flash Rate Accuracy</b>	0.02 % ± 1 digit at 77 ° F			
<b>Flash Setting Resolution</b>	Unit FPM	High Range	1 FPM	60 – 30,000 FPM
			2 FPM	30,002 – 60,000 FPM
		5 FPM	60,005 – 100,000 FPM	
		10 FPM	100,010 – 120,000 FPM	
	Low Range	0.1 FPM	60.0 – 3,000.0 FPM	
		0.2 FPM	3,000.2 – 6,000.0 FPM	
Unit Hz	High Range	0.1 Hz	0.1 - 2000 Hz	
	Low Range	0.01Hz	0.01 - 200 Hz	
<b>Ratio (Flash Duty)</b>	0.1 – 2.5 ° ( / 360 ° ) Setting of every 0.1 °			
<b>Light Source</b>	High Brightness LEDs			
<b>Flash Delay</b>	Time	0 – 999 ms		
	Angle	0 – 359 °		
<b>Controls</b>	Power, Multiply by 2, Divide by 2, Phase Shift±, Ratio, Mode Setting			
<b>External Trigger Input</b>	Photocoupler input 12mA/DC12V			
<b>External Clock Output</b>	Photocoupler Output 30mA/DC30V, Pulse width 200µs			
<b>Light Power (Illumination/Brightness)</b>	1,250 lux	6,000 FPM	7.87in (20cm)	
	700 lux		19.69in (50cm)	
	1,950 lux	120,000 FPM	7.87in (20cm)	
	860 lux		19.69in (50cm)	
<b>Display</b>	LCD with Backlight	Main Display: 6 characters		
		Sub-display: Flash, Units, Battery, Settings		
<b>Display Update</b>	Continuous			
<b>Power Supply</b>	AC 100V – 240V 50/60Hz			
<b>Weight</b>	11lbs (5kg)			
<b>Operating Temperature</b>	32 - 95° F (0 - 30° C)			
<b>Includes</b>	AC cable, 1 Input Connector, 1 Output Connector, Manual, Warranty Card			
<b>Warranty</b>	2 Years			

