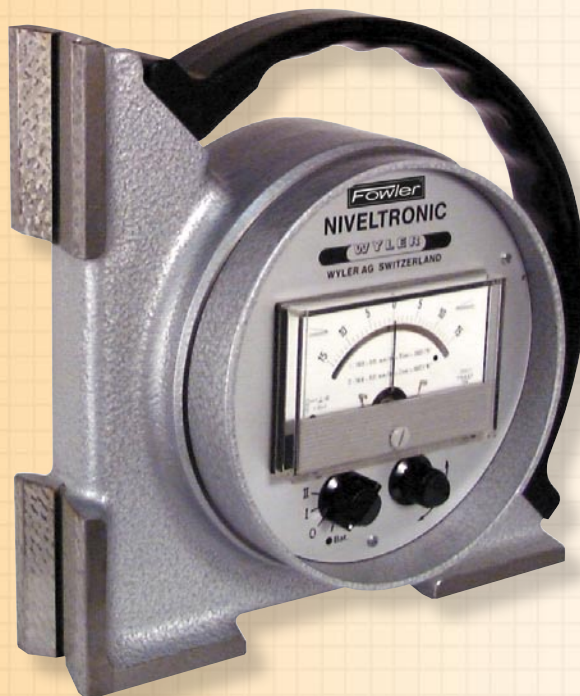


Fred V. Fowler Company, Inc.

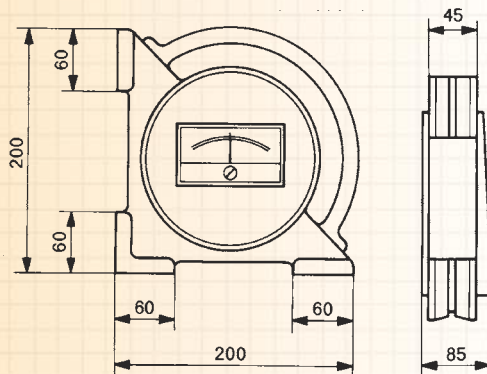


Niveltronic Electronic Level



Specifications:

- Two measuring ranges, reversible:
I= $\pm 0.0075''/10''$, $\pm 0.75\text{mm/m}$, ± 150 sec.
1 division = $.0005''/10''$, $.05\text{mm/m}$, 10 sec.
II= $\pm 0.0015''/10''$, $\pm 0.15\text{mm/m}$, ± 30 sec.
1 division = $.0001''/10''$, $.01\text{mm/m}$, 2 sec.
- Instantaneous measurement: reading can be made about three seconds after setting up the Niveltronic.
- High accuracy: the instrument repeats better than 0.001mm/m (0.2 sec.) and maximum indication error does not exceed 0.005mm/m (1 sec.).
- Easy zero setting: fine setting by potentiometer, capacity $\pm 0.0015''/10''$, $\pm 0.15\text{mm/m}$, ± 30 sec. Coarse setting by an eccentric cam. Range $\pm 0.018''/10''$, $\pm 1.8\text{mm/m}$, ± 6 min.
- Stable current supply by means of a regulated battery adaptor.
- No calibration required during the lifetime of the batteries or when batteries are replaced (4 AAA's).
- Analog output approx: 18mV/Div .



Angular

Order No.	Description	Weight
54-800-000	Niveltronic Electronic Level (battery adaptor included)	9 lbs. (4.1 kg.)
54-800-006	Replacement battery adaptor	