



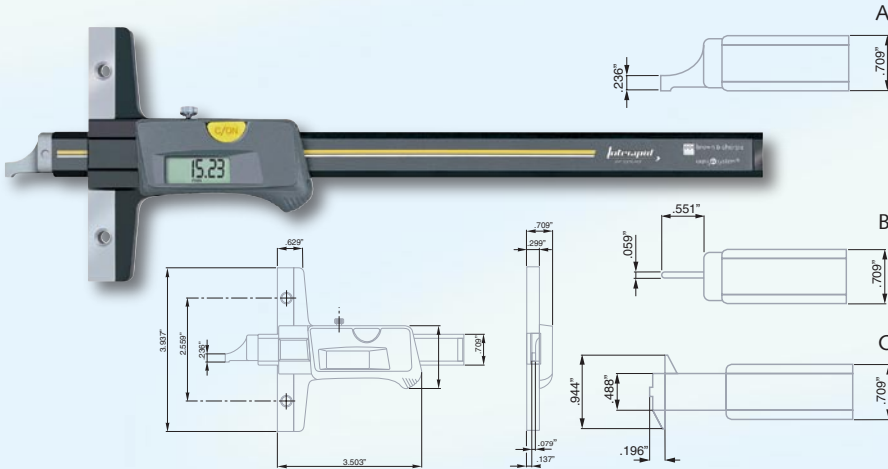
TESA IP67

Models with short cut measuring faces or one or two fixed jaws



Catalog No.	EDP No.	Description	Bridge Length	List Price	Sale Price
00530241	24739	IP67 Depth Caliper Elec Std 8in/200mm	3.93"	\$437.00	\$393.00
00530242	24740	IP67 Depth Caliper Elec Std 10in/250mm	3.93	\$462.00	\$416.00
00530243	24741	IP67 Depth Caliper Elec Std 12in/300mm	3.93	\$486.00	\$437.00
00530244	24742	IP67 Depth Cal Elec Std 20in/500mm	3.93	\$577.00	\$519.00
00530245	24743	IP67 Depth Caliper Fixed Jaw 12in/300mm	5.90	\$543.00	\$489.00
00530246	24744	IP67 Depth Cal Fixed Jaw 20in/500mm	5.90	\$653.00	\$588.00
00530247	24745	IP67 Depth Caliper 2 Fixed Jaws 12in/300mm	5.90	\$673.00	\$606.00
01961000	29552	3V Lithium Battery - CR2032	5.90	\$10.60	\$10.00

INTERRAPID® Electronic Depth Calipers



Catalog No.	EDP No.	Range	Measuring Foot	List Price	Sale Price
05.90055	27575	0 - 8	A	\$512.00	\$461.00
05.90058	27576	0 - 12	A	\$582.00	\$524.00
05.90056	27577	0 - 8	B	\$620.00	\$558.00
05.90059	27578	0 - 12	B	\$720.00	\$648.00
05.90057	27579	0 - 8	C	\$772.00	\$695.00
05.90060	27583	0 - 12	C	\$896.00	\$806.00

Optional Accessories

05.60087	27580	Removable bridge	7 in / 180 mm	\$73.00	\$66.00
05.60088	27581	Removable bridge	10 in / 260 mm	\$102.00	\$92.00
05.60089	27582	Removable bridge	12.5 in / 320 mm	\$114.00	\$103.00

Bridge Length 3.93

Micromaster Digital Micrometers



A sleek, ergonomic design and plenty of impressive features, including the new "capa μ system", give the Micromaster Digital Micrometer a comfortable advantage in both form and function.

- Large, easy-to-read 1/4" digital display
- Preset absolute and differential modes
- Battery life: 1 to 2 years normal usage
- Automatic shut-off after 10 minutes
- Meets or exceeds applicable Federal and DIN standards
- Shop-hardened, fitted case



Catalog No.	EDP No.	Range	Water Resistant	RS-232 Output	List Price	Sale Price
Digital Electronic Micrometers						
599-100	27266	0-1.2"/0-30mm	N	N	\$258.00	\$219.00
599-125	27271	0-1.2"/0-30mm	Y	N	\$275.00	\$234.00
599-125RS	27267	0-1.2"/0-30mm	Y	Y	\$281.00	\$239.00
599-126	27272	1-2"/25-50mm	Y	N	\$332.00	\$282.00
599-126RS	27268	1-2"/25-50mm	Y	Y	\$336.00	\$286.00
599-127	27273	2-3"/50-75mm	Y	N	\$345.00	\$293.00
599-127RS	27269	2-3"/50-75mm	Y	Y	\$349.00	\$297.00
599-128	27274	3-4"/75-100mm	Y	N	\$362.00	\$308.00
599-128RS	27270	3-4"/75-100mm	Y	Y	\$385.00	\$327.00
0-3 Inch Set						
06030029	21235	consisting of 599-125, 599-126, 599-127	Y	N	\$1,160.00	\$986.00

Note: 4" through 12" ranges are also available